



**SKANDIA  
ELEVATOR**



Our machines are designed for outdoor use. We only use galvanised steel plate, and join the parts by means of clamp riveting and screwing in order to keep the surface layer intact. Edges are bent down, joints and seams overlap and many parts are embossed in order to prevent water penetration. The most exposed joints are also sealed with rubber strips or silicone. The products in the L-LINE are designed for plants with seasonal operations.

## SE 140 TVM

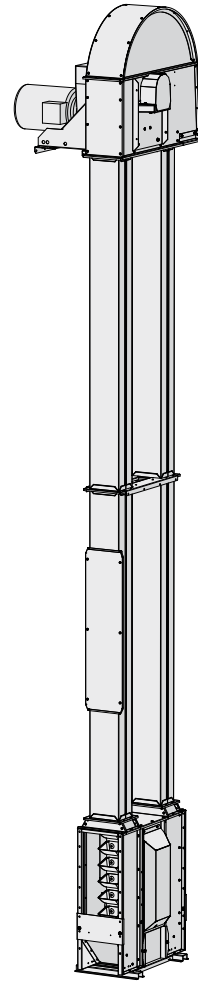
The SE 140 TVM belt & bucket elevator is adapted in terms of capacity to lift material from a Skandia trench intake/bottom conveyor to a Skandia top conveyor. It can be fed on the upward or downward side with the same capacity.

### STANDARD EQUIPMENT:

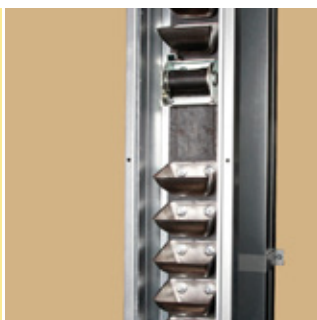
- › Direct-mounted gearbox motor with support frame
- › Back stop & Elevator switch
- › Extra wear plates in outlet nose
- › Detachable elevator hood
- › Self-cleaning slatted pulley in head & boot
- › Belt alignment adjusting device in head & boot
- › Service door in leg & clean out hatch on both sides in the boot
- › Sealing plate for an inlet opening
- › Inlet slide
- › Antistatic bucket belt and steel buckets

### ACCESSORIES:

- › Weather cover for gearbox motor
- › Inductive belt alignment switch
- › Explosion relief panels
- › Connections, inlet hoppers & valves for different needs
- › Seed boot with high feet and bottom clean-out hatch with safety switch.
- › Leg with two service doors, one with sight glass
- › Elevator hood with aspiration connection.
- › Belt tensioning device in boot
- › Service platform in two different variants, ladder safety hoops & rest platform
- › Oil, grease and temperature-resistant bucket belt
- › Plastic buckets



Seed boot with high feet and bottom clean-out hatch with safety switch.



Antistatic bucket belt with steel buckets.

**GALVANISED  
ENERGY EFFICIENT  
SERVICE FRIENDLY  
COMPACT  
RELIABLE  
EASILY MOUNTED**

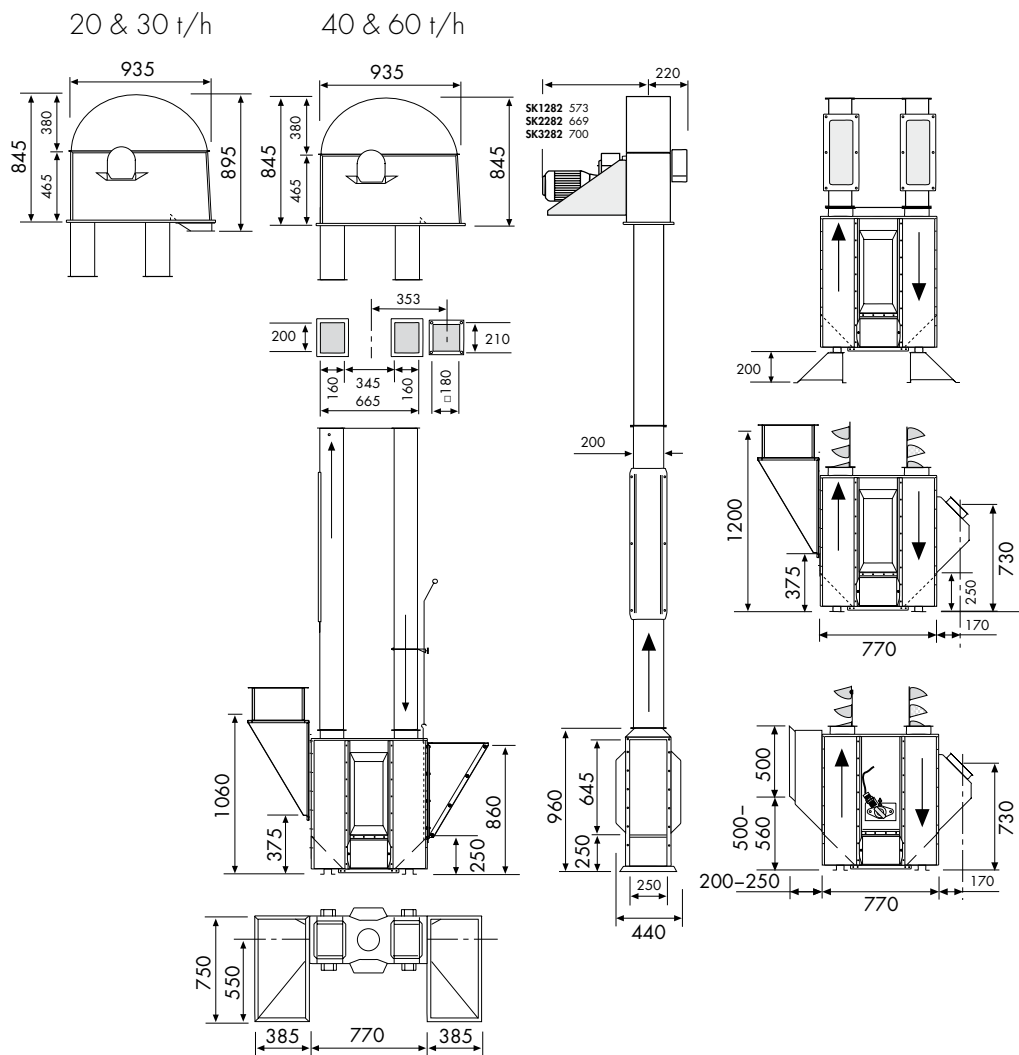


Connection to inlet hopper.

**THE  
LEADING  
COMPANY**

# SE 140 TVM

## DIMENSIONAL DRAWING



All drawings are available in CAD format.

### SE BELT & BUCKET ELEVATOR

### 140 TVM

		20 t/h	30 t/h	40 t/h	60 t/h
Capacity for 750 kg/m <sup>3</sup>	t/h	20	30	40	60
Capacity	m <sup>3</sup> /h	27	40	54	80
Speed/Belt speed (Nom.)	rpm	164 rpm/3.1 m/s			
Slatted pulley diameter	mm	360			
Bucket model/width	Starco	130			
Max buckets/m belt	pcs	12.5			
Buckets/m belt	pcs	3.6	5.5	7.5	10.5
Bucket volume, net/gross	litre	0.47/0.68			
Material thickness buckets	mm	1.5			
Belt width	mm	140			
Belt type/standard		EP 500/3 (Antistatic)			
Leg, width/depth	mm	200/160			
Plate thickness, head/boot	mm	2.0			
Plate thickness, legs	mm	1.0			
ATEX class (standard equipment)		II 2D/OD			

